

# INSTALLATION INSTRUCTIONS #39002

Please read carefully and save these instructions, as you may need them at a later date.

## CAUTION

**WARNING:** Risk of Fire. Consult a qualified electrician to ensure correct branch circuit conductor. Min 90°C supply conductors.

Turn off the main power at the circuit breaker before installing the fixture, in order to prevent possible shock.

## GENERAL

All electrical connections must be in accordance with local and National Electrical Code (N.E.C.) standards. If you are unfamiliar with proper electrical wiring connections obtain the services of a qualified electrician.

Remove the fixture and the mounting package from the box and make sure that no parts are missing by referencing the illustrations on the installation instructions.

## ASSEMBLY AND INSTALLATION

1. Thread two Mounting Screw(8) to the Mounting bar(9) and secure with the Hex nut(7).
2. Secure the Mounting bar(9) with Box screw(10) to the Outlet box(1).
3. Pull out the outlet wire and ground wire from the Outlet box(1).Make wire connections  
 --White wire (w/o marking) from light to White wire(2) from power source.  
 --Black wire (w/o marking) from light to Black wire(3) from power source.  
 --Loop the Ground wire(4) to Mounting bar(9) with a Green screw(6)
4. Attach the Back plate(11) against the Outlet box(1),secure with the Ball nut(12)
5. Remove screw (14),open top cap(13).
6. Insert top glass(16) into top cap(13), then attach it with small clip(17) and screw(18).
7. Insert glass(21) into cage (22), then attach it with clip(20).
- 8.Install bulbs: (bulbs not include)  
 (Please don't exceed the maximum capacity that recommended on the sockets).
- 9.Put top cap (13) onto cage (22) then secure it with screw(14). (See Fig:1)

## INSTALLATION IS NOW COMPLETED

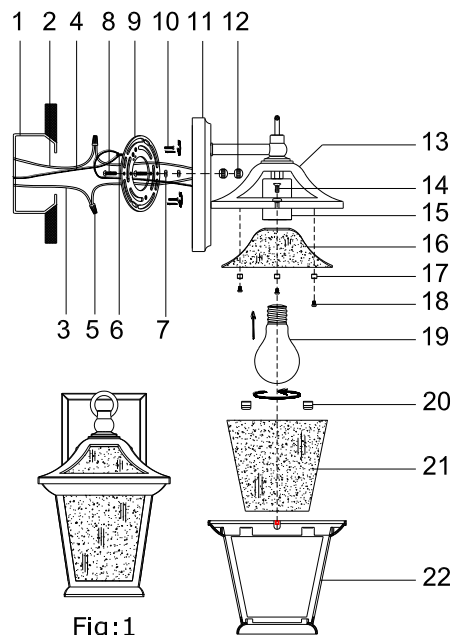


Fig:1

1. OUTLET BOX
2. WHITE WIRE
3. BLACK WIRE
4. GROUND WIRE
5. WIRE CONNECTOR
6. GREEN SCREW
7. HEX NUT
8. MOUNTING SCREW
9. MOUNTING BAR
10. BOX SCREW
11. BACK PLATE
12. BALL NUT
13. TOP CAP
- 14.SCREW
15. SOCKET
- 16.TOP GLASS
- 17.SMALL CLIP
- 18.SCREW
- 19.BULB
- 20.CLIP
- 21.GLASS
22. CAGE